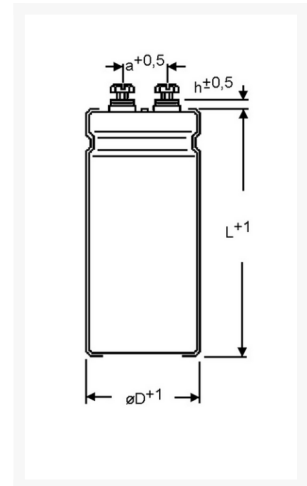


**ELCO BUS 10000UF 63V SCHROEFAANSLUITING**

**€ 19,95**

Excl. BTW: € 16,49

**Afbeeldingen**



**Beschrijving**

**Technical Specifications**

Part Nr.	C	$U_N$	tand	$I_R$	Z
	[ $\mu$ F]	[V DC]	[%]	[A]	[mOhm]
EBG33A	33000	40	25	8,7	10
EBG15A	150000	40	47	16,5	8
EBF33A	330000	40	62	35,2	3
EBG75A	750000	40	93	55,3	2
EBF10CA	10000	100	10	9,4	16
EBF22C	22000	100	9	15	7

EBF47C	47000	100	12	28,2	4
EBE15D	1500	400	7	3,8	74
EBE33D	3300	400	8	5,8	39
EBE68D	6800	400	8	12,4	17
EBF12D	12000	400	8	14,8	8

C = Rated Capacitance, Rated Voltage DC, tan d = Dissipation Factor Max. (20°C) , I<sub>R</sub> = Ripple Current (100Hz, 85°C), Z = Impedance (20°C, 10kHz)



## Dimensions

Part Nr.	D	L	a	h	B	Terminals
	[mm]	[mm]	[mm]	[mm]		
EBG33A	50	70	22	5	M12x16	M5
EBG15A	75	145	31,7	5	M12x16	M5
EBF33A	75	165	31,7	5	M12x16	M5
EBG75A	90	230	31,7	5	M12x16	M6
EBF10CA	40	70	18	5	M8x12	M5
EBF22C	65	100	28,5	5	M12x16	M5
EBF47C	75	145	31,7	5	M12x16	M5
EBE15D	50	100	22	5	M12x16	M5
EBE33D	75	100	31,7	5	M12x16	M5
EBE68D	75	145	31,7	5	M12x16	M5
EBF12D	90	160	31,7	5	M12x16	M6

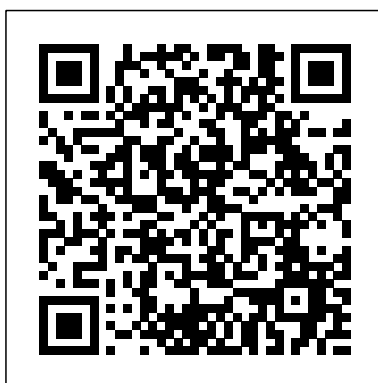


## Norms

IEC 60384-4, climatic category 40/O85/56

---

Artikelnummer	EBF10BA
Merk	F&T
Is on Sale	Nee



## Productinformatie