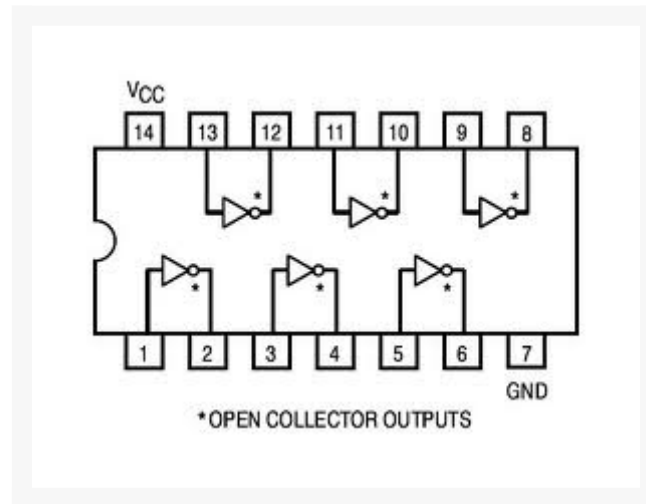


HEX INVERTER 14P

€ 0,73

Excl. BTW: € 0,60

Afbeeldingen



Beschrijving

74LS05 electrical characteristic: (1)VIH Input HIGH Voltage: min=2.0 V; (2)VIL Input LOW Voltage: max=0.8V; (3)VIK Input Clamp Diode Voltage: typ=- 0.65V, max=- 1.5V; (4)IOH Output HIGH Current: max=100iA; (5)VOL Output LOW Voltage: typ=0.35V, max=0.5V; (6)IIH Input HIGH Current: max=20iA; (7)IIL Input LOW Current: max=- 0.4mA; (8)ICC Power Supply Current Total, Output HIGH: max=2.4mA, Output LOW: max=6.6mA

Productinformatie

Artikelnummer	74LS05
Merk	Merk
Is on Sale	Nee

