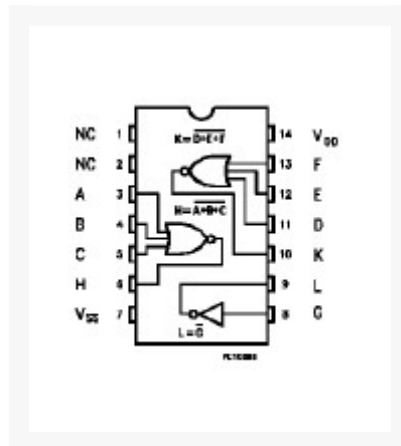


DUAL 3IN NOR GATE INV. 14P

€ 0,58

Excl. BTW: € 0,48

Afbeeldingen



Beschrijving

.PROPAGATION DELAY TIME = 60 ns (typ.) AT  
.CL = 50 pF, VDD = 10 V .BUFFERED INPUTS AND OUTPUTS STANDARDIZED SYMMETRICAL OUTPUT  
.CHARACTERISTICS QUIESCENT CURRENT SPECIFIED TO 20 V  
.FOR HCC DEVICE .5V, 10V AND 15V PARAMETRIC RATINGS INPUT CURRENT OF 100nA AT 18V AND 25 oC  
.FOR HCC DEVICE .100% TESTED FOR QUIESCENT CURRENT MEETS ALL REQUIREMENTS OF JEDEC TENTATIVE STANDARD N. 13A, " STANDARD SPECIFICATIONS FOR DESCRIPTION OF B SERIES CMOS DEVICES "

Productinformatie

Artikelnummer	CD4000
Merk	Merk
Is on Sale	Nee

