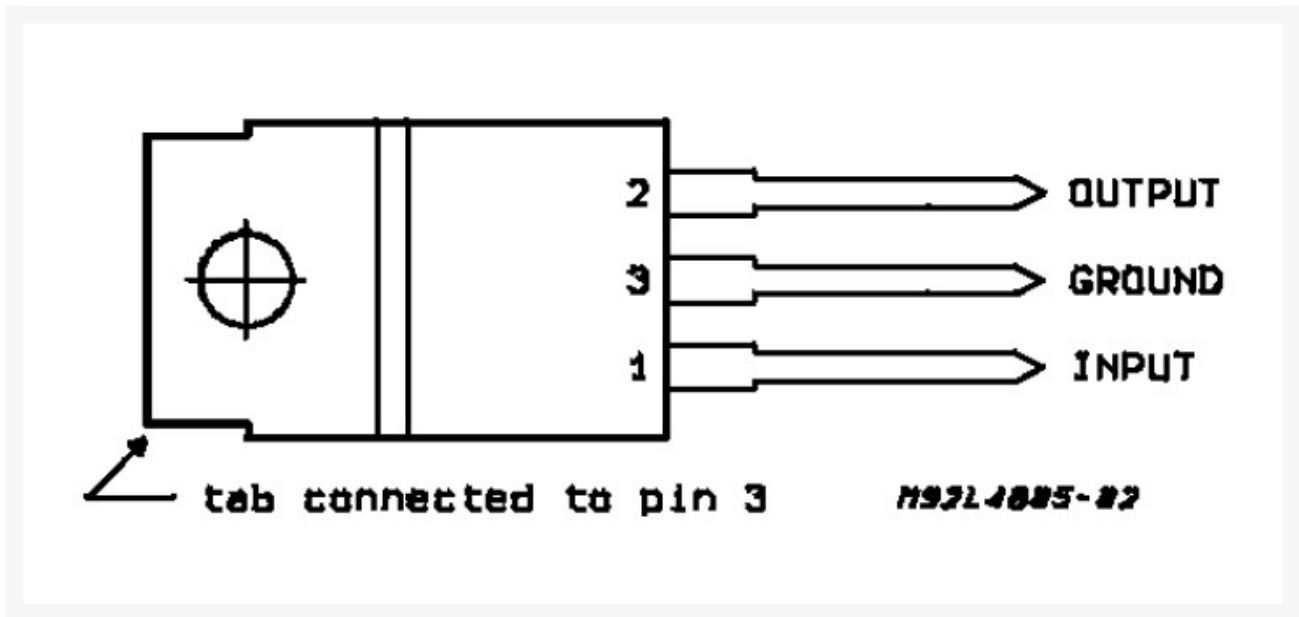


## POS LOW DROP +12V REGULATOR

€ 4,19

Excl. BTW: € 3,46

### Afbeeldingen



### Beschrijving

L4800 series devices are voltage regulators with a very low voltage drop (typically 0.4V at full rated current), output current up to 400mA, low quiescent current and comprehensive on-chip protection. These devices are protected against load dump and field decay transients of  $\pm 60V$ , polarity reversal and overheating. A foldback current limiter protects against load short circuits. Available in 5V, 8.5V, 9.2V, 10V and 12V versions (all  $\pm 4\%$ ,  $T_I = 25^\circ C$ ) these regulators are designed for automotive, industrial and consumer applications where low consumption is particularly important.

DC Input Voltage 35V max.

## Productinformatie

---

Artikelnummer	L4812
Merk	Merk
Is on Sale	Nee

