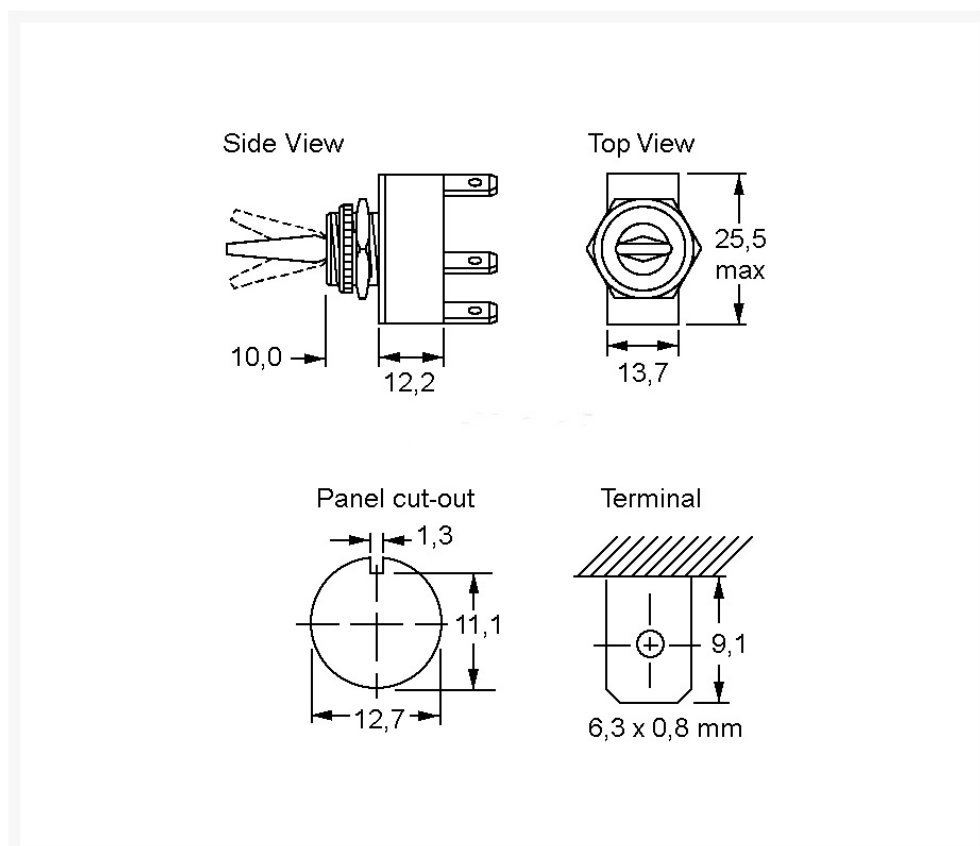


TUIMEL 1 X MAAK 16(4)A

€ 6,50

Excl. BTW: € 5,37

Afbeeldingen



Beschrijving

Features

- For central mounting
- Black plastic rocker arm
- Approved up to 250V/16A



Selection Table

Part Nr.	Nr. of Poles	Function
AR1	1-Pole	1 x On/Off

AR2	1-Pole	1 x On/On
AR3	1-Pole	On-Off-On
AR4	2-Pole	2 x On/Off
AR6	2-Pole	2 x On/On



Technical Specifications



Operating Voltage, Max.:	250V AC
Switching Current, Max.:	16A
Switching Current at Inductive Load, Max.:	4A
Inrush Current (EN61058-1):	36A
Ambient Temperature, Max.:	85°C
Insulation Resistance:	>20MΩ
Contact Resistance	
(New State, 12V DC/1A):	<100mΩ
Contact Opening Width	
C1700_, C1750_:	3mm
C1710_, C1720_, C1760_:	<3mm
Soldering Conditions (Hand Solder):	350°C/6s
Material	
Shell and Lever:	Nylon 6.6
Current-carrying Part:	Cu Alloy
Contacts:	Silver-plated
Flammability Class:	UL94V2



Panel Cut-out

Wall Strength	Cut-out
[mm]	[mm]
3,5 (with 2 Nuts)	Ø 12,7
6,5 (with 1 Nut)	Ø 12,7

Productinformatie

Artikelnummer	AR1
Merk	ARCOLECTRIC
Is on Sale	Nee

